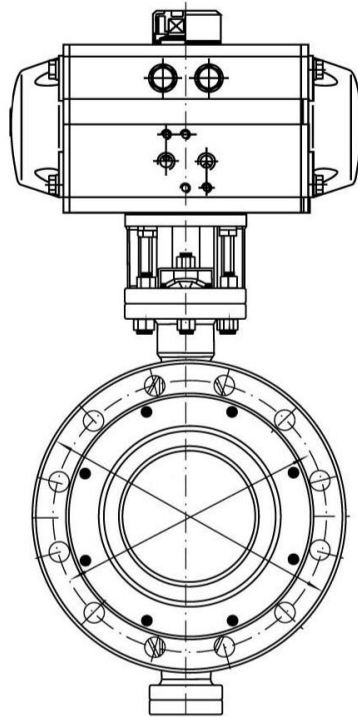


STANDARD SPECIFICATION

CHUANHU

气动三偏心硬密封蝶阀
Pneumatic three-eccentric center
Butterfly valve



上海川沪阀门有限公司

ShangHai Chuanhu Valve CO.,LTD

概述

三偏心硬密封蝶阀具有功能强、体积小、性能可靠、配套简单、流通能力大等特点。广泛应用于食品、环保、轻工、石油、造纸、化工、教学和科研设备、电力等行业的工业自动控制系统。

GENERAL

Three-eccentric center butterfly valve has the characteristics of strong function, small volume, reliable performance, simple matching, large flow capacity etc.. Butterfly valve is widely used in food, environmental protection, light industry, petroleum, papermaking, chemical industry, teaching and research equipment, electric power industry automatic control system

标准规格 STANDARD SPECIFICATION

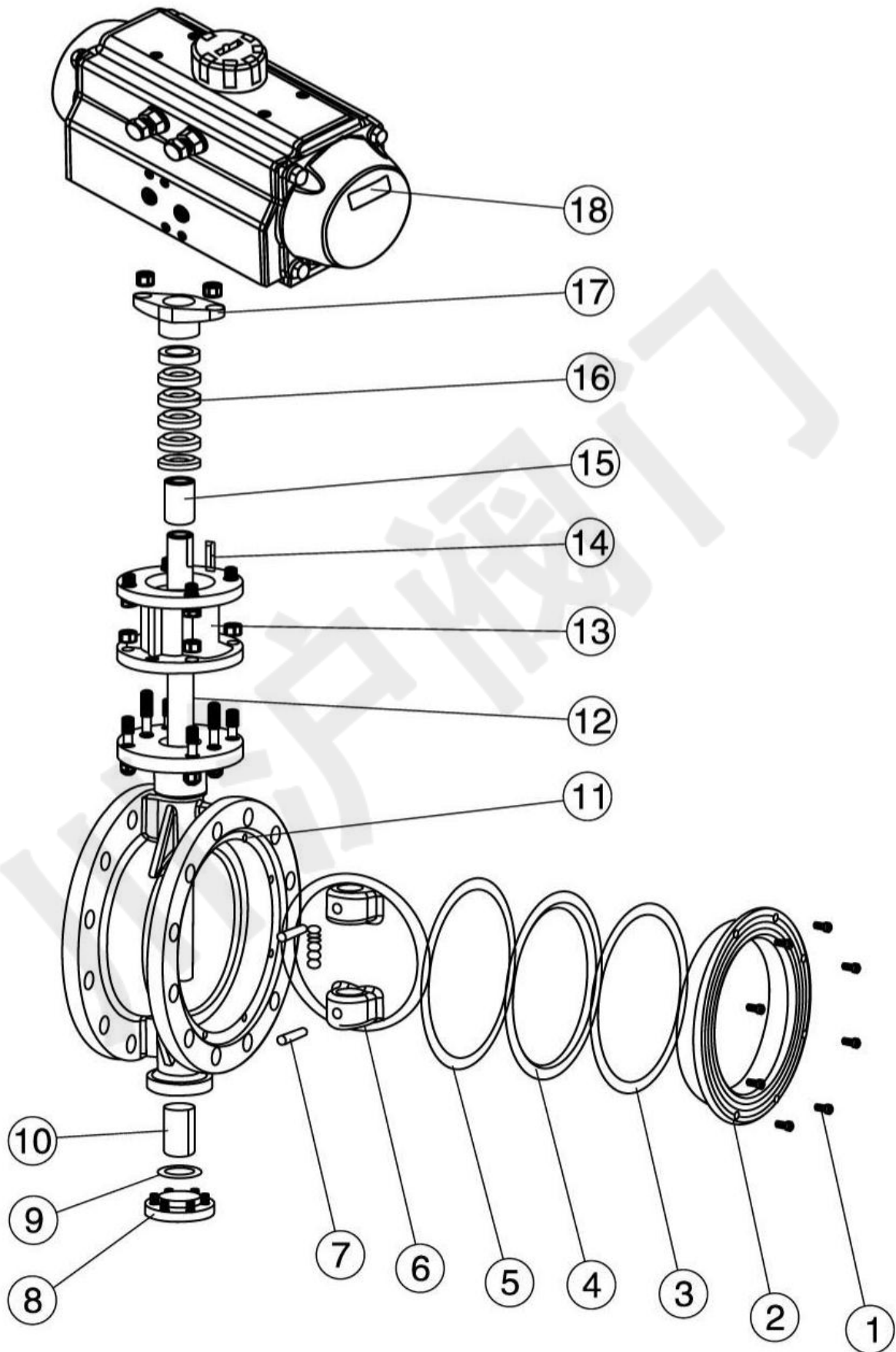
| | |
|-------------------------------|--|
| 公称通径 Body size | DN50~1200 |
| 公称压力 Body ratings | PN 1.6, 2.5,4.0 MPa ANSI Class 150, 300 Lb |
| 尺寸标准 Dimension standard | 国标、美标 GB, American standard |
| 阀体材质 Body material | 碳钢 Carbon steel(WCB), 不锈钢 Stainless steel(CF8, CF8M, CF3, CF3M) |
| 阀座材质 Seat material | 金属密封 (H、Y)、聚四氟乙烯 (F) H,Y, PTFE |
| 作用方式 Mode of action | 双作用、单作用 (弹簧复位) Double-acting/Single-acting type(spring reposition) |
| 控制方式 Control | 开关型、调节型 Switch type, Adjust type |
| 附件选择 Selection of Accessories | 电磁阀、定位器、限位开关、气源三联件、手动机构 Solenoid valve, Locator, Limit switch, F.R.L. COMBINATION UNIT, Manual Device |

| 设计依据 Design Basis | | GB 标准 Standard | ANSI 标准 Standard |
|----------------------------------|--------------------------|-----------------|--|
| 设计标准 Design standard | | GB/12238 | API609 |
| 结构长度 Face to face dimension | 对夹连接 Wafer connecting | GB/12221 | ANSI B16.10 |
| 连接法兰尺寸 Connecting Flange Size | | GB/9113. JB/T79 | ANSI B16.5(2~24") ANSI B16.47(26~32") |
| 试验和检验 Test & inspection | | J B/T9092 | API 598 |

※注：系列蝶阀结构长度及连接法兰尺寸可根据用户要求设计制造。

Note: The structural length and connecting flange size of butterfly valve series can be designed and manufactured as per users' requirements

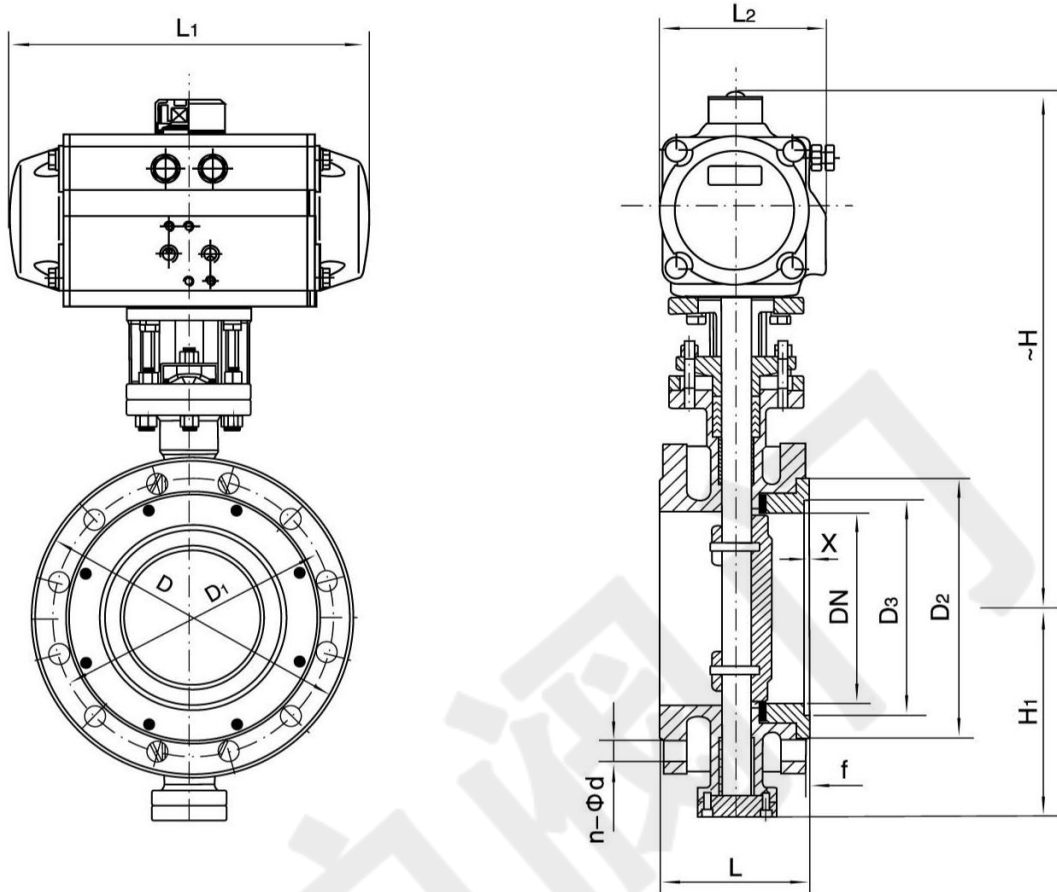
结构图和零件材质表 STRUCTURE AND MAIN MATERIAL TABLE



| 序号 No. | 零件名称 Name of parts | 材质 Material | | |
|-----------|------------------------------|--|--------------|------------------|
| | | C | P | R |
| 1 | 内六角螺钉 Inner Hexagon Screw | 1Cr18Ni9Ti | 1Cr18Ni9Ti | 1Cr18Ni12M02T |
| 2 | 阀盖 Bonnet | WCB | 1Cr18Ni9Ti | ZG1Cr18Ni12M02Ti |
| 3 | 垫片 Gasket | 1Cr18Ni9Ti | 1Cr18Ni9Ti | 1Cr18Ni12M02T |
| 4 | 阀座 Seat | 不锈钢+柔性石墨、PTFE Stainless Steel + Graphite、PTFE | | |
| 5 | 垫片 Gasket | 1Cr18Ni9Ti | 1Cr18Ni9Ti | 1Cr18Ni12M02T |
| 6 | 蝶板 Butterfly Plate | WCB | ZG1Cr18Ni9Ti | ZG1Cr18Ni12M02Ti |
| 7 | 圆柱销 Straight Pin | 45 | 1Cr18Ni9Ti | 1Cr18Ni12M02T |
| 8 | 下盖 Bottom Cover | WCB | ZG1Cr18Ni9Ti | ZG1Cr18Ni12M02Ti |
| 9 | 垫片 Gasket | 不锈钢+柔性石墨、PTFE Stainless Steel + Graphite、PTFE | | |
| 10 | 衬套 Bushing | PTFE 复合轴承 PTFE Composite Bearings | | |
| 11 | 阀体 Body | WCB | ZG1Cr18Ni9Ti | ZG1Cr18Ni12M02T |
| 12 | 阀杆 Stem | 1Cr13 | 1Cr18Ni9Ti | 1Cr18Ni12M02Ti |
| 13 | 支架 Yoke | WCB | WCB | WCB |
| 14 | 键 Key | 45 | 45 | 45 |
| 15 | 衬套 Bushing | PTFE 复合轴承 PTFE Composite Bearings | | |
| 16 | 填料 Packing | 柔性白墨、PTFE Graphite、PTFE | | |
| 17 | 压盖 Gland | WCB | ZG1Cr18Ni9Ti | ZG1Cr18Ni12M02T |
| 18 | 气动执行器 Pneumatic Actuator | AT 系列、AW 系列 AT Series、AW Series | | |

※注：系列蝶阀主要零部件及密封圈的材质可根据实际工况条件或用户特殊要求设计选用。

Note: The main spare parts and sealing ring material of butterfly valve can be designed for you options according to real working conditions or user's special requirements.

主要外形及连接法兰尺寸 MAIN OUTLINE AND CONNECTING FLANGE SIZE

PN16 (1.6MPa) Dimension

| 公称通径 Nominal diameter DN | 外形尺寸 Outline Size | | | | | 连接尺寸 Connecting Size | | | | | 执行器型号 Actuator Model |
|-----------------------------------|-------------------|-----------|---------|-----------|-----|----------------------|-----|-----|---|--------|-------------------------|
| | L | L1 | L2 | ~H | Hi | D | Di | D2 | f | n-φd | |
| 50 | 108 | 159/211 | 83/95 | 277/205 | 65 | 165 | 125 | 99 | 3 | 4-φ18 | AT063D/AT075S |
| 65 | 112 | 211/248 | 95/107 | 287/315 | 75 | 185 | 145 | 118 | 3 | 4-φ18 | AT075D/AT088S |
| 80 | 114 | 248/269 | 107/123 | 365/375 | 85 | 200 | 160 | 132 | 3 | 8-φ18 | AT088D/AT100S |
| 100 | 127 | 269/315 | 123/141 | 420/436 | 130 | 220 | 180 | 156 | 3 | 8-φ18 | AT100D/AT115S |
| 125 | 140 | 315/345 | 141/152 | 436/462 | 175 | 250 | 210 | 184 | 3 | 8-φ18 | AT115D/AT125S |
| 150 | 140 | 345/409 | 152/172 | 466/543 | 190 | 285 | 240 | 211 | 3 | 8-φ22 | AT125D/AT145S |
| 200 | 152 | 409/438 | 172/187 | 593/665 | 215 | 340 | 295 | 266 | 3 | 12-φ22 | AT145D/AT160S |
| 250 | 165 | 438/550 | 187/215 | 682/752 | 265 | 405 | 355 | 319 | 3 | 12-φ26 | AT160D/AT190S |
| 300 | 178 | 550/600 | 215/240 | 725/772 | 305 | 460 | 410 | 370 | 4 | 12-φ26 | AT190D/AT210S |
| 350 | 190 | 600/633 | 240/262 | 832/880 | 340 | 520 | 470 | 429 | 4 | 16-φ26 | AT210D/AT240S |
| 400 | 216 | 633/730 | 262/330 | 862/968 | 360 | 580 | 525 | 480 | 4 | 16-φ30 | AT240D/AT270S |
| 450 | 222 | 633/1700 | 262/440 | 945/1005 | 400 | 640 | 585 | 548 | 4 | 20-φ30 | AT240D/AW25S |
| 500 | 229 | 730/1700 | 330/440 | 1058/1060 | 430 | 715 | 650 | 609 | 4 | 20-φ33 | AT270D/AW25S |
| 600 | 267 | 1180/1700 | 365/440 | 1108/1195 | 190 | 840 | 770 | 720 | 5 | 20-φ36 | AW20/AW25S |
| 700 | 292 | 1320/1970 | 440/480 | 1170/1255 | 555 | 910 | 840 | 794 | 5 | 24-φ36 | AW25/AW28S |
| 800 | 318 | 1430/2700 | 480/560 | 1325/1365 | 620 | 1025 | 950 | 901 | 5 | 24-φ39 | AW28/AW35S |

PN25 (2.5MPa) Dimension

| 公称通径 Nominal diameter DN | 外形尺寸 Outline Size | | | | | 连接尺寸 Connecting Size | | | | | 执行器型号 Actuator Model |
|-----------------------------------|-------------------|-----------|---------|-----------|-----|----------------------|-----|-----|---|--------|-------------------------|
| | L | L1 | L2 | —H | Hi | D | D1 | D2 | f | n-φd | |
| 50 | 108 | 159/211 | 83/95 | 277/305 | 65 | 165 | 125 | 99 | 3 | 4-φ18 | AT063D/AT075S |
| 65 | 112 | 211/248 | 95/107 | 287/325 | 75 | 185 | 145 | 118 | 3 | 8-φ18 | AT075D/AT088S |
| 80 | 114 | 248/269 | 107/123 | 365/391 | 85 | 200 | 160 | 132 | 3 | 8-φ18 | AT088D/AT100S |
| 100 | 127 | 269/315 | 123/141 | 420/457 | 130 | 235 | 190 | 156 | 3 | 8-φ22 | AT100D/AT115S |
| 125 | 140 | 315/345 | 141/152 | 436/462 | 175 | 270 | 220 | 184 | 3 | 8-φ26 | AT115D/AT125S |
| 150 | 140 | 409/438 | 172/187 | 466/543 | 190 | 300 | 250 | 211 | 3 | 8-φ26 | AT145D/AT160S |
| 200 | 152 | 438/550 | 187/215 | 593/665 | 215 | 360 | 310 | 274 | 3 | 12-φ26 | AT160D/AT190S |
| 250 | 165 | 550/600 | 215/240 | 682/752 | 265 | 425 | 370 | 330 | 3 | 12-φ30 | AT190D/AT210S |
| 300 | 178 | 600/633 | 240/262 | 702/820 | 305 | 485 | 430 | 389 | 4 | 16-φ30 | AT210D/AT240S |
| 350 | 190 | 633/730 | 262/330 | 832/938 | 340 | 555 | 490 | 448 | 4 | 16-φ33 | AT240D/AT270S |
| 400 | 216 | 633/1700 | 262/440 | 910/968 | 360 | 620 | 550 | 503 | 4 | 16-φ36 | AT240D/AW25S |
| 450 | 222 | 730/1700 | 330/440 | 1005/1010 | 400 | 670 | 600 | 548 | 4 | 20-φ36 | AT270D/AW25S |
| 500 | 229 | 730/1700 | 330/440 | 1058/1065 | 430 | 730 | 660 | 609 | 4 | 20-φ36 | AT270D/AW25S |
| 600 | 267 | 1320/1970 | 440/480 | 1110/1195 | 490 | 845 | 770 | 720 | 4 | 20-φ39 | AW25/AW28S |
| 700 | 292 | 1430/2700 | 480/560 | 1255/1295 | 555 | 960 | 875 | 820 | 5 | 24-φ42 | AW28/AW35S |
| 800 | 318 | 1950/2700 | 260/580 | 1325/1365 | 620 | 1085 | 990 | 928 | 5 | 24-φ48 | AW35/AW40S |

PN40 (4.0MPa) Dimension

| 公称通径 Nominal diameter DN | 外形尺寸 Outline Size | | | | | 连接尺寸 Connecting Size | | | | | | 执行器型号 Actuator Model |
|-----------------------------------|-------------------|-----------|---------|-----------|-----|----------------------|-----|-----|---|---------|--------|-------------------------|
| | L | L1 | L2 | —H | Hi | D | Di | D2 | f | D3 | n-φd | |
| 50 | 108 | 211/248 | 95/107 | 277/305 | 65 | 165 | 125 | 99 | 3 | 88.4 | 4-φ18 | AT075D/AT088S |
| 65 | 112 | 248/269 | 107/123 | 310/341 | 75 | 185 | 145 | 118 | 3 | 110.4 | 8-φ18 | AT088D/AT100S |
| 80 | 114 | 269/315 | 123/141 | 375/412 | 85 | 200 | 160 | 132 | 3 | 121.4 | 8-φ18 | AT100D/AT115S |
| 100 | 127 | 315/345 | 141/152 | 436/462 | 130 | 235 | 190 | 156 | 3 | 150.4.5 | 8-φ22 | AT115D/AT125S |
| 125 | 140 | 345/438 | 152/187 | 462/513 | 175 | 270 | 220 | 184 | 3 | 176.4.5 | 8-φ26 | AT125D/AT160S |
| 150 | 140 | 438/550 | 187/240 | 543/615 | 190 | 300 | 250 | 211 | 3 | 204.4.5 | 8-φ26 | AT160D/AT210S |
| 200 | 152 | 550/600 | 215/262 | 665/760 | 215 | 375 | 320 | 284 | 3 | 260.4.5 | 12-φ30 | AT190D/AT240S |
| 250 | 165 | 600/633 | 240/262 | 752/858 | 265 | 450 | 385 | 315 | 3 | 313.4.5 | 12-φ33 | AT210D/AT240S |
| 300 | 178 | 633/730 | 262/330 | 820/880 | 305 | 515 | 450 | 409 | 4 | 364.4.5 | 16-φ33 | AT240D/AT270S |
| 350 | 190 | 730/1700 | 330/440 | 938/940 | 340 | 580 | 510 | 465 | 4 | 422.5 | 16-φ36 | AT270D/AW25S |
| 400 | 216 | 1180/1700 | 365/440 | 970/1055 | 360 | 660 | 585 | 535 | 4 | 474.5 | 16-φ39 | AW20/AW25S |
| 450 | 222 | 1180/1970 | 440/480 | 1005/1090 | 400 | 685 | 610 | 560 | 4 | 524.5 | 20-φ39 | AW20/AW28S |
| 500 | 229 | 1320/1970 | 440/480 | 1145/1185 | 430 | 755 | 670 | 615 | 4 | 576.5 | 20-φ42 | AW25/AW28S |
| 600 | 267 | 1970/2700 | 480/560 | 1195/1235 | 490 | 890 | 795 | 735 | 5 | 676.5 | 20-φ48 | AW28/AW35S |

Class150 Dimension

| 公称通径 Nominal diameter | | 外形尺寸 Outline Size | | | | | 连接尺寸 Connecting Size | | | | | 执行器型号 Actuator Model |
|--------------------------|----|-------------------|-----------|---------|-----------|-----|----------------------|-------|-----|---|--------|-------------------------|
| DN | in | L | Li | L2 | ~H | H1 | D | D1 | D2 | f | n-φd | |
| 50 | 2 | 108 | 159/211 | 83/95 | 277/305 | 65 | 152 | 120.5 | 92 | 2 | 4-φ19 | AT063D/AT075S |
| 65 | 2½ | 112 | 211/248 | 95/107 | 287/325 | 75 | 178 | 139.5 | 105 | 2 | 4-φ19 | AT075D/AT088S |
| 80 | 3 | 114 | 248/269 | 107/123 | 365/391 | 85 | 190 | 152.5 | 127 | 2 | 4-φ19 | AT088D/AT100S |
| 100 | 4 | 127 | 269/315 | 123/141 | 420/457 | 130 | 229 | 190.5 | 157 | 2 | 8-φ19 | AT100D/AT115S |
| 125 | 5 | 140 | 315/345 | 141/152 | 436/462 | 175 | 254 | 216 | 186 | 2 | 8-φ22 | AT115D/AT125S |
| 150 | 6 | 140 | 345/409 | 152/172 | 466/543 | 190 | 279 | 241.5 | 216 | 2 | 8-φ22 | AT125D/AT145S |
| 200 | 8 | 152 | 409/550 | 172/215 | 593/665 | 215 | 343 | 298.5 | 270 | 2 | 8-φ22 | AT145D/AT190S |
| 250 | 10 | 165 | 438/600 | 187/240 | 682/752 | 265 | 406 | 362 | 324 | 2 | 12-φ25 | AT160D/AT210S |
| 300 | 12 | 178 | 600/633 | 240/262 | 702/820 | 305 | 483 | 432 | 381 | 2 | 12-φ25 | AT190D/AT240S |
| 350 | 14 | 190 | 600/633 | 240/262 | 832/938 | 340 | 533 | 476 | 413 | 2 | 12-φ29 | AT210D/AT240S |
| 400 | 16 | 216 | 633/730 | 262/330 | 910/968 | 360 | 597 | 540 | 470 | 2 | 16-φ29 | AT240D/AT270S |
| 450 | 18 | 222 | 633/730 | 262/330 | 1005/1010 | 400 | 635 | 578 | 533 | 2 | 16-φ32 | AT240D/AT270S |
| 500 | 20 | 229 | 730/1700 | 330/440 | 1058/1065 | 430 | 699 | 635 | 584 | 2 | 20-φ32 | AT270D/AW25S |
| 600 | 24 | 267 | 1180/1700 | 365/440 | 1110/1195 | 490 | 813 | 749.5 | 682 | 2 | 20-φ35 | AW20/AW25S |

Class300 Dimension

| 公称通径 Nominal diameter | | 外形尺寸 Outline Size | | | | | 连接尺寸 Connecting Size | | | | | 执行器型号 Actuator Model |
|--------------------------|----|-------------------|-----------|---------|-----------|-----|----------------------|-------|-----|---|--------|-------------------------|
| DN | in | L | Li | L2 | HH | Hi | D | Di | D2 | f | n-φd | |
| 50 | 2 | 108 | 211/248 | 95/107 | 277/305 | 65 | 165 | 127 | 92 | 2 | 8-19 | AT075D/AT088S |
| 65 | 2½ | 112 | 248/269 | 107/123 | 310/341 | 75 | 190 | 149 | 105 | 2 | 8-φ22 | AT088D/AT100S |
| 80 | 3 | 114 | 269/315 | 123/141 | 375/412 | 85 | 210 | 168.5 | 127 | 2 | 8-φ22 | AT100D/AT115S |
| 100 | 4 | 127 | 315/345 | 141/152 | 436/462 | 130 | 254 | 200 | 157 | 2 | 8-φ22 | AT115D/AT145S |
| 125 | 5 | 140 | 345/438 | 152/187 | 462/513 | 175 | 279 | 235 | 186 | 2 | 8-22 | AT125D/AT160S |
| 150 | 6 | 140 | 438/600 | 187/240 | 543/615 | 190 | 318 | 270 | 216 | 2 | 12-φ22 | AT145D/AT160S |
| 200 | 8 | 152 | 550/600 | 215/240 | 665/760 | 215 | 381 | 330 | 270 | 2 | 12-φ25 | AT160D/AT210S |
| 250 | 10 | 165 | 600/633 | 240/262 | 752/858 | 265 | 445 | 387.5 | 324 | 2 | 16-φ29 | AT190D/AT240S |
| 300 | 12 | 178 | 600/730 | 240/262 | 820/880 | 305 | 521 | 451 | 381 | 2 | 16-φ32 | AT210D/AT270S |
| 350 | 14 | 190 | 633/1700 | 262/440 | 938/940 | 340 | 584 | 514.5 | 413 | 2 | 20-φ32 | AT240D/AW25S |
| 400 | 16 | 216 | 730/1700 | 330/440 | 970/1055 | 360 | 648 | 571.5 | 470 | 2 | 20-φ35 | AT270D/AW25S |
| 450 | 18 | 222 | 730/1700 | 330/440 | 1005/1090 | 400 | 711 | 628.5 | 533 | 2 | 24-φ35 | AT270D/AW25S |
| 500 | 20 | 229 | 1180/1970 | 365/480 | 1145/1185 | 430 | 775 | 686 | 584 | 2 | 24-φ35 | AW20/AW25S |
| 600 | 24 | 267 | 1320/1970 | 440/480 | 1195/1235 | 490 | 914 | 813 | 682 | 2 | 24-φ41 | AW25/AW28S |

※注：系列球阀结构长度及连接法兰尺寸可根据 JB/T79 标准或用户要求设计制造。

※注：数据 xxx/xxx 分别是气动执行器双作用式，单作用式（弹簧复位）。

※注：根据不同阀门扭矩、使用介质适配的执行器型号可能有所不同，相关尺寸随之变化。

※注：以上执行器配置及数据均采用软密封(F)阀门，硬密封阀门的配置及数据请咨询上海川沪阀门有限公司。

订货须知 ORDERING INFORMATION

| 代号 Code | 材料 Material | 适用温度(°C) Applicable Temperature |
|------------|--|------------------------------------|
| H | 合金钢 304、316 Alloy Steel 304,31 6 | -30—425 |
| F | 增强聚四氟乙烯 Reinforced Polyterafluoroethylene (PTFE) | -40—150 |
| X | 丁腈橡胶 Buna-N Rubber | -12~82 |
| | 乙丙橡胶 Ethylene-propylene Rubber | -35—110 |
| | 食品级乙丙胶 Food Ethylene-propylene Rubber | -35—110 |
| | 氟橡胶 Fluorous rubber | -12~135 |
| J | 全衬里丁腈橡胶 Full-lining Buna-N Rubber | -12—82 |
| F4 | 全衬里聚四氟乙烯 Full-lining polyteafuoroethylene (PTFE) | -40—160 |

根据不同控制和要求可选择下列附件：

切断型附件：单电控电磁阀、双电控制电磁阀、限位开关回讯器。

调节型附件：电-气定位器、电气转换器。

气源处理附件：空气过滤减压阀、气源处理三联件。

手动机构：XLHJ 系列

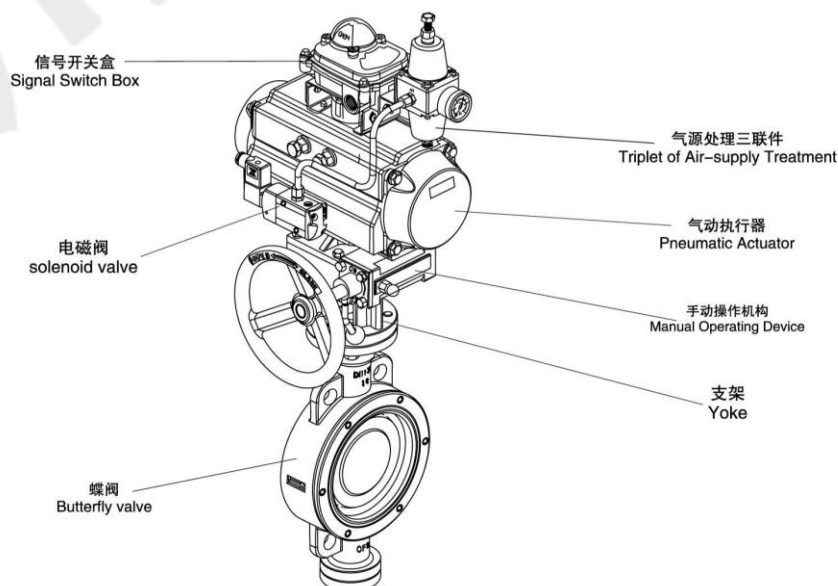
According to the different control and the request can choose the following accessories:

Shut-off Accessories: Single electrically-controlled magnetic valve. Double electrically-controlled Solenoid valve. signal saver of limit switch

Adjusting Accessories: EP/PP-positioner. electric-pneumatic converter.

Air-supply Treatment Accessories: air-filtering reducing valve. F.R.L. COMBINATION UNIT.

Manual Device: XLHJ Series





地址：上海市奉贤区金汇工业园金碧路 358 号
电话：86-021-5186 3046
传真：86-021-5186 3049
邮箱：chvalve@126.com
邮编：210404
网址：<http://www.chuanhuvalve.com>

Add: Shanghai Fengxian District Jinhui Industrial Garden Jinbi Road No. 358
Tel: 86-021-5186 3046
Fax: 86-021-5186 3049
Mail: chvalve@126.com
Code: 210404
Website: <http://www.chuanhuvalve.com>

